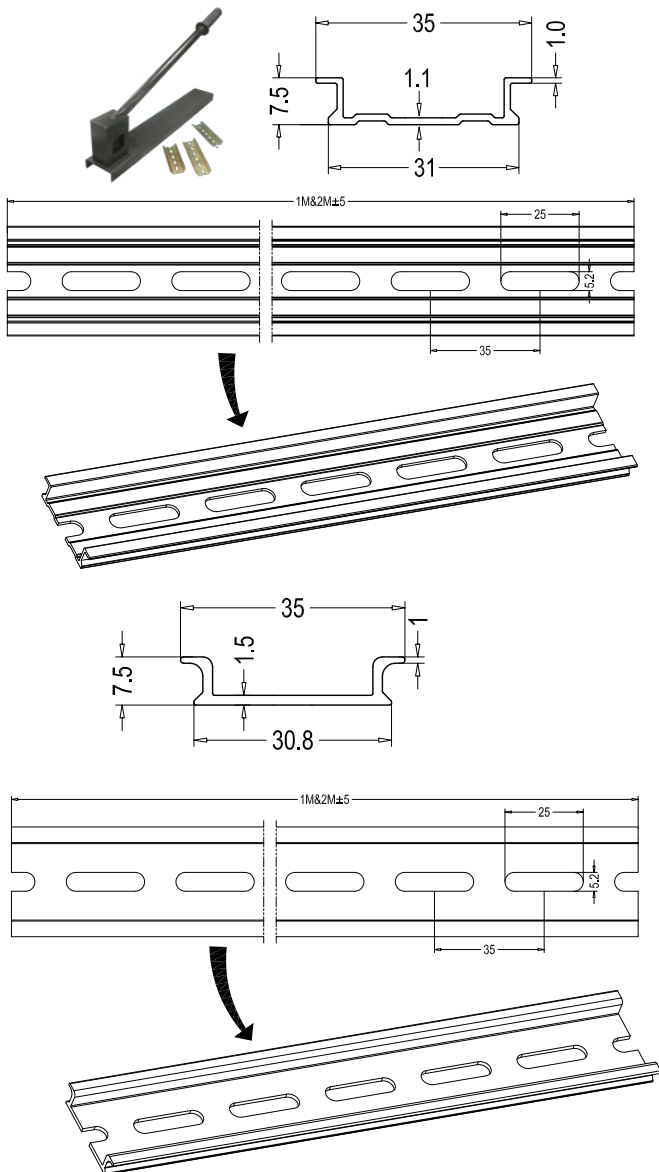
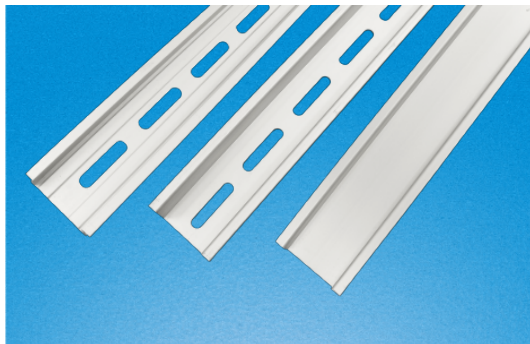
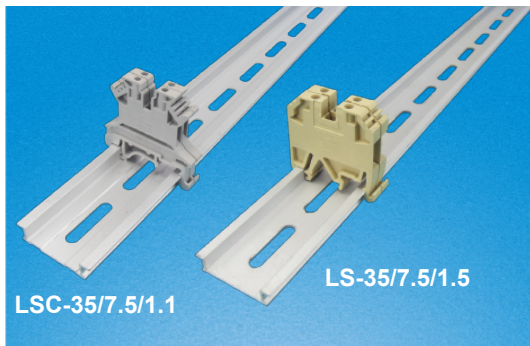


RCCN 日成LS型电器安装铝导轨 不锈钢导轨 Din Rails



产品材质: 优质高强度铝合金。产品标准: 欧洲EN50022 颜色种类: 白色。
 工作温度: -40°C持续高温至100°C
 使用方法: 固定于面板后即可安装电器。
 产品特性: 具美观及抗重压之功能, 尺寸十分精确, 耐腐蚀。
 定制长度或孔位有起订量要求, 本品符合ROHS。
 Material: high quality and strength metal Aluminum EN50022 Product standard: EN50022
 Color: silver white
 Operated temperature: -40°C standing heat to 100°C
 Use way: fixed on the panel then installed with electric parts
 Features: perfect design, with huge pressure, exactly dia., rust resistant ROHS. Special length or special hole come with MOQ., Rohs approved products are available.

型号 Item No.	材质 Material	配套工具 Supporting tools	包装/箱 Packing/ carton
LSC-35/7.5/1.1系列/Catena			
LSC-35/7.5/1.1/1M	环保铝合金/Rohs approved Alu. metal	LS-1	50M
LSC-35/7.5/1.1/2M	环保铝合金/Rohs approved Alu. metal		100M
LSC-35/7.5/1.1/1M-N	无底孔/Without hole		50M
LSC-35/7.5/1.1/2M-N	无底孔/Without hole		100M
LS-35/7.5/1.5系列/Catena			
LS-35/7.5/1.5/1M	环保铝合金/Rohs approved Alu. metal	LS-2	50M
LS-35/7.5/1.5/2M	环保铝合金/Rohs approved Alu. metal		100M
LS-35/7.5/1.5/1M-N	无底孔/Without hole		50M
LS-35/7.5/1.5/2M-N	无底孔/Without hole		100M
LS-35/15/1.5系列/Catena			
LS-35/15/1.5/1M	环保铝合金/Rohs approved Alu. metal	LS-3	30M
LS-35/15/1.5/2M	环保铝合金/Rohs approved Alu. metal		60M
LS-35/15/1.5/1M-N	无底孔/Without hole		30M
LS-35/15/1.5/2M-N	无底孔/Without hole		60M

RCCN 日成TS-304不锈钢导轨

型号 Item No.	材质 Material	配套工具 Supporting tools	包装/箱 Packing/ carton
TS-35/7.5系列/Catena304材质/Material			
TS-35/7.5/0.9/1M/304-615	304	TS-1	50M
TS-35/7.5/0.9/1M/304-515	304		50M
TS-35/7.5/0.9/1M/304-525	304		50M
TS-35/7.5/0.9/2M/304-615	304		100M
TS-35/7.5/0.9/2M/304-515	304		100M
TS-35/7.5/0.9/2M/304-525	304		100M
TS-35/7.5/0.9/1M/304-N	304		50M
TS-35/7.5/0.9/2M/304-N	304		100M
TS-35/15系列/Catena304材质/Material			
TS-35/15/1.2/1M/304-615	304	TS-2	30M
TS-35/15/1.2/2M/304-615	304		60M
TS-35/15/1.2/1M/304-N	304		30M
TS-35/15/1.2/2M/304-N	304		60M