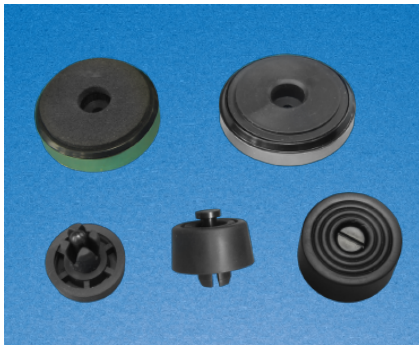


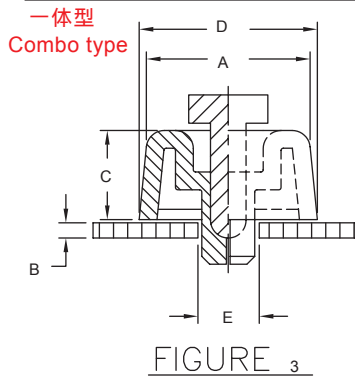
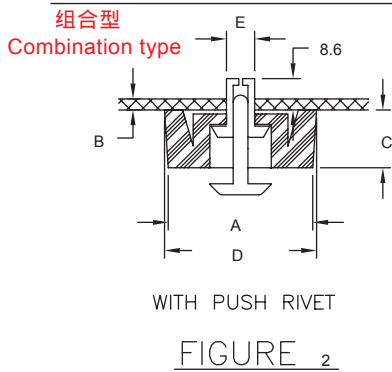
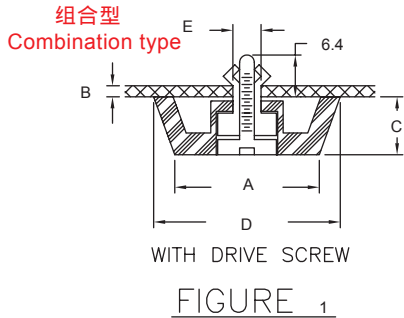
RCCN 日成FF型脚垫 Fast Foot



材 质:UL合格之原料(黑色)制成,FG1/2/3分硬质PP,中硬及软质合成橡胶.
 FG4 为硬质ABS制成.
 使用方法:依选用脚垫规格开底板孔,再把脚垫压入即可固定.
 特 点:不必用螺丝固定,安装快速,止滑效果佳,不溶解.
 用 途:电器或家具等接地用起到减震,缓冲,耐摩擦,防滑等作用.
 备 注:FG3为一体型,FG1/FG2为组合型,FG4为烫金边型,带G为金边,S为银边.

Material : NYLON66(black) ULapproved,fireproof 94V-2,FG4 is made of ABS
 Usage:open holes according to the sizes,input the fast foot can fix it.
 Characteristics:fixed no need to use screw,easy to install..

单位/Unit:mm



型号 Item No.	适用孔径E Hole Dia	适用板厚B Panel Thick	A	D	C	附图编号 Fig.No.
FF-001B	5.1	1.0-2.3	20	24	14	FG.1
FF-004B	5.1	1.0-2.3	18	20	10	
FF-015B	5.1	0.8-2.0	28	30	15	
FF-003-P3055B	3.1	0.8-1.8	13	14	5.5	
FF-005-P4050B	4.1	0.8-1.8	20	21	4.2	
FF-005-P4060B	4.1	1.8-2.8	20	21	4.2	
FF-005-P4070B	4.1	2.9-3.7	20	21	4.2	
FF-005-P4080B	4.1	3.8-4.8	20	21	4.2	
FF-006-P4060B	4.1	0.6-1.0	14	15	6.0	
FF-006-P4070B	4.1	1.0-2.0	14	15	6.0	
FF-006-P4080B	4.1	2.0-3.1	14	15	6.0	
FF-006-P5065B	5.1	0.8-1.2	14	15	6.0	FG.2
FF-006-P5075B	5.1	1.3-2.3	14	15	6.0	
FF-008-P4060B	4.1	0.8-1.8	20	21	6.0	
FF-008-P4070B	4.1	1.9-2.8	20	21	6.0	
FF-008-P4080B	4.1	2.9-4.0	20	21	6.0	
FF-009-P4060B	4.1	0.8-1.8	20	21	8.0	
FF-009-P4070B	4.1	0.8-2.0	20	21	8.0	
FF-009-P4080B	4.1	2.1-3.0	20	21	8.0	
FF-010-P4070B	4.1	1.0-2.0	14	15	9.0	
FF-010-P4080B	4.1	2.0-3.1	14	15	9.0	
FF-013-P3545B	3.6	0.5-1.2	10	11	4.0	FG.3
FF-013-P3555B	3.6	1.2-2.0	10	11	4.0	
FF-013-P3560B	3.6	1.5-2.2	10	11	4.0	
FF-013-P3570B	3.6	2.5-3.2	10	11	4.0	
SFF-017	8.1	0.8-1.5	18	20	10	
SFF-018	8.1	0.8-1.5	18	20	10	
SFF-021	7.7	0.8-1.5	20	21	6	
SFF-023	8.0	0.8-1.5	23	25	5	
SFF-024	8.1	0.8-1.2	18	20	12	
SFF-025	8.1	0.8-1.5	18	20	15	
SFF-026	8.1	1.0-2.0	18	20	18	
SFF-028	8.1	0.8-1.5	18	20	15	FG.4
BF-3010	3.5	0.8-1.2	30	30	10	
BF-4010	4.5	0.8-1.2	40	40	10	
BF-5014	4.5	0.8-1.2	50	50	14	
BF-5610	4.5	0.8-1.2	56	60	10	
BF-5616	4.5	0.8-1.2	56	60	16	

