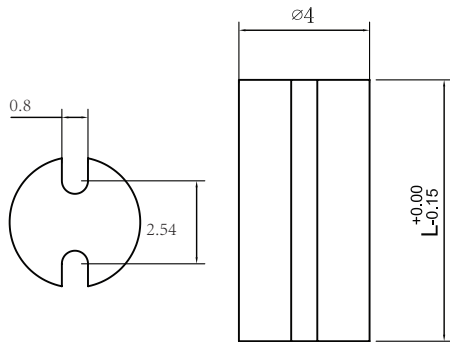


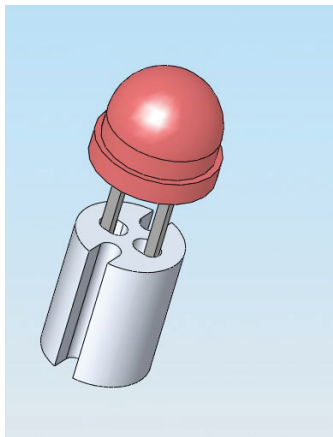
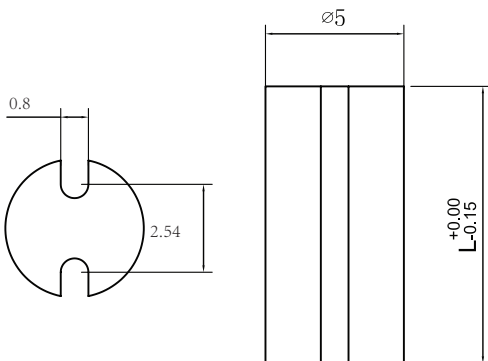
RCCN 日成外双槽孔C-LED隔离柱 Led Spacer Support

外双槽孔
Outer double slot

C-LED0.8/4.0



C-LED0.8/5.0



材 质:UL合格之NYLON66 (本色)。
功 能:用于保护LED立于PC板,使灯高度一致,中间隔板设计,接脚不会弯曲,折断,短路。
防火等级:UL94-V2。工作温度:-40 ~120。
标准包装:最小起订量5000pcs/包

Material:UL approved NYLON66 (natural)
Functions:keep LED to hold PC board,
Fireproof:UL94-V2
Operate temperature:-40 ~120
Standard packing:mini.5000pcs/bag

单位/Unit:mm

型号/Item No.	型号/Item No.
内径/外径/高度 Inner dia./Outer dia./Height	内径/外径/高度 Inner dia./Outer dia./Height
C-LED0.8/4.0-1.5	C-LED0.8/5.0-1.5
C-LED0.8/4.0-2.0	C-LED0.8/5.0-2.0
C-LED0.8/4.0-2.5	C-LED0.8/5.0-2.5
C-LED0.8/4.0-3.0	C-LED0.8/5.0-3.0
C-LED0.8/4.0-3.5	C-LED0.8/5.0-3.5
C-LED0.8/4.0-4.0	C-LED0.8/5.0-4.0
C-LED0.8/4.0-4.5	C-LED0.8/5.0-4.5
C-LED0.8/4.0-5.0	C-LED0.8/5.0-5.0
C-LED0.8/4.0-5.5	C-LED0.8/5.0-5.5
C-LED0.8/4.0-6.0	C-LED0.8/5.0-6.0
C-LED0.8/4.0-6.5	C-LED0.8/5.0-6.5
C-LED0.8/4.0-7.0	C-LED0.8/5.0-7.0
C-LED0.8/4.0-7.5	C-LED0.8/5.0-7.5
C-LED0.8/4.0-8.0	C-LED0.8/5.0-8.0
C-LED0.8/4.0-8.5	C-LED0.8/5.0-8.5
C-LED0.8/4.0-9.0	C-LED0.8/5.0-9.0
C-LED0.8/4.0-9.5	C-LED0.8/5.0-9.5
C-LED0.8/4.0-10.0	C-LED0.8/5.0-10.0
C-LED0.8/4.0-10.5	C-LED0.8/5.0-10.5
C-LED0.8/4.0-11.0	C-LED0.8/5.0-11.0
C-LED0.8/4.0-11.5	C-LED0.8/5.0-11.5
C-LED0.8/4.0-12.0	C-LED0.8/5.0-12.0
C-LED0.8/4.0-12.5	C-LED0.8/5.0-12.5
C-LED0.8/4.0-13.0	C-LED0.8/5.0-13.0
C-LED0.8/4.0-13.5	C-LED0.8/5.0-13.5
C-LED0.8/4.0-14.0	C-LED0.8/5.0-14.0
C-LED0.8/4.0-14.5	C-LED0.8/5.0-14.5
C-LED0.8/4.0-15.0	C-LED0.8/5.0-15.0
C-LED0.8/4.0-15.5	C-LED0.8/5.0-15.5
C-LED0.8/4.0-16.0	C-LED0.8/5.0-16.0
C-LED0.8/4.0-16.5	C-LED0.8/5.0-16.5
C-LED0.8/4.0-17.0	C-LED0.8/5.0-17.0
C-LED0.8/4.0-17.5	C-LED0.8/5.0-17.5
C-LED0.8/4.0-18.0	C-LED0.8/5.0-18.0
C-LED0.8/4.0-18.5	C-LED0.8/5.0-18.5
C-LED0.8/4.0-19.0	C-LED0.8/5.0-19.0
C-LED0.8/4.0-19.5	C-LED0.8/5.0-19.5
C-LED0.8/4.0-20.0	C-LED0.8/5.0-20.0
C-LED0.8/4.0-20.5	C-LED0.8/5.0-20.5
C-LED0.8/4.0-21.0	C-LED0.8/5.0-21.0
C-LED0.8/4.0-21.5	C-LED0.8/5.0-21.5
C-LED0.8/4.0-22.0	C-LED0.8/5.0-22.0
C-LED0.8/4.0-22.5	C-LED0.8/5.0-22.5
C-LED0.8/4.0-23.0	C-LED0.8/5.0-23.0
C-LED0.8/4.0-23.5	C-LED0.8/5.0-23.5
C-LED0.8/4.0-24.0	C-LED0.8/5.0-24.0
C-LED0.8/4.0-24.5	C-LED0.8/5.0-24.5
C-LED0.8/4.0-25.0	C-LED0.8/5.0-25.0
C-LED0.8/4.0-25.5	C-LED0.8/5.0-25.5
C-LED0.8/4.0-26.0	C-LED0.8/5.0-26.0