

## RCCN 日成RFN圆形尼龙绝缘端子 Nylon Insulated Ring Terminals

说明：本系列配套工具 YTT-1可定制特殊颜色，有起订量要求。1000PCS  
Use note: installed by tool YTT-1 Special color can be produced with MOQ.



尼龙绝缘护套 紫铜表面镀锡 DIN 46237

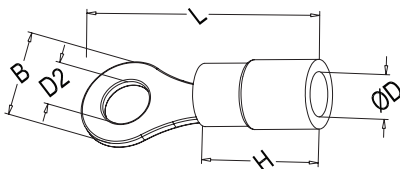
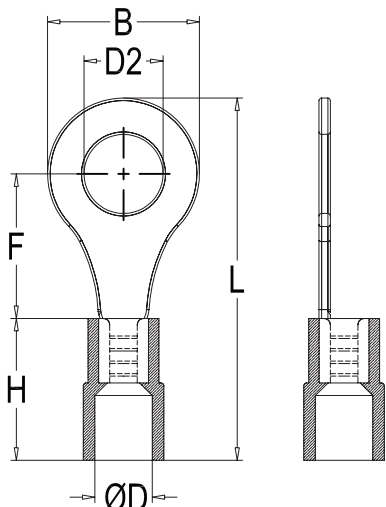
**特点：**

无卤产品，耐热温度达 105 °C。  
有了易进式绝缘头，加工更简单。  
压接区域内的硬焊接。

内部是槽形轮廓

**优势：**

优质材料可确保电气连接的可靠性。  
即使在更高的温度下，也可维持导电性。  
发生火灾时，不会释放毒气。  
易进式绝缘护套使导线插入更简单。  
压接区域的槽形轮廓使其具有高抗张强度，  
可以承受更高的永久性机械应变  
Futures: Halogen free, temperature upto 105 °C,  
with easy insert insulator, easy to process, hard  
connecting inside and groove construction.  
Advantage: high quality material insure reliable  
in electric connecting, conduct under higher  
temperature, without poison when fired,  
with easy insert insulator, easy to process.  
hard connecting inside and groove  
construction, with high te



| 型号<br>Item No. | 尺寸DIMENSION                       |                             |         |         |         |         |          | 颜色<br>color |
|----------------|-----------------------------------|-----------------------------|---------|---------|---------|---------|----------|-------------|
|                | AWG/mm <sup>2</sup><br>最大电流<br>包装 | 螺栓口直径<br>Dia. of bolt<br>D2 | B<br>mm | L<br>mm | F<br>mm | H<br>mm | Dφ<br>mm |             |
| RF1.25-3N      |                                   | 3.2mm                       | 5.7     | 17.8    | 4.95    |         |          | 红<br>Red    |
| RFS1.25-3.5N   |                                   | 3.7mm                       | 5.7     | 17.8    | 4.95    |         |          |             |
| RFM1.25-3.5N   |                                   | 3.7mm                       | 6.6     | 20.1    | 6.3     |         |          |             |
| RFL1.25-3.5N   |                                   | 3.7mm                       | 8.0     | 21.5    | 7.0     |         |          |             |
| RFS1.25-4N     | 22-16                             | 4.3mm                       | 6.6     | 20.1    | 6.3     | 10.0    | 4.0      |             |
| RFL1.25-4N     | 0.5-1.5                           | 4.3mm                       | 8.0     | 21.5    | 7.0     |         |          |             |
| RF1.25-5N      | 19A                               | 5.3mm                       | 8.0     | 21.5    | 7.0     |         |          |             |
| RFL1.25-5N     | 1000PCS                           | 5.3mm                       | 9.8     | 23.0    | 8.5     |         |          |             |
| RFS1.25-6N     |                                   | 6.5mm                       | 9.8     | 23.0    | 8.5     |         |          |             |
| RF1.25-6N      |                                   | 6.5mm                       | 11.6    | 27.5    | 11.1    |         |          |             |
| RF1.25-8N      |                                   | 8.4mm                       | 11.6    | 27.5    | 11.1    |         |          |             |
| RF1.25-10N     |                                   | 10.5mm                      | 13.6    | 31.6    | 13.9    |         |          |             |
| RF1.25-12N     |                                   | 13.0mm                      | 19.2    | 36.0    | 16.5    |         |          |             |
| RF2-3N         |                                   | 3.2mm                       | 6.6     | 17.8    | 4.3     |         |          | 蓝<br>Blue   |
| RFS2-3.5N      |                                   | 3.7mm                       | 6.6     | 17.8    | 4.3     |         |          |             |
| RFM2-3.5N      |                                   | 3.7mm                       | 6.6     | 21.0    | 7.0     |         |          |             |
| RFL2-3.5N      |                                   | 3.7mm                       | 8.5     | 22.5    | 7.75    |         |          |             |
| RFS2-4N        | 16-14                             | 4.3mm                       | 6.6     | 19.5    | 6.5     | 10.0    | 4.5      |             |
| RFL2-4N        | 1.5-2.5                           | 4.3mm                       | 8.5     | 22.5    | 7.75    |         |          |             |
| RFS2-5N        | 27A                               | 5.3mm                       | 8.5     | 22.5    | 7.75    |         |          |             |
| RFL2-5N        |                                   | 5.3mm                       | 9.5     | 22.5    | 7.25    |         |          |             |
| RF2-6N         | 1000PCS                           | 6.5mm                       | 12.0    | 27.6    | 11.0    |         |          |             |
| RF2-8N         |                                   | 8.4mm                       | 12.0    | 27.6    | 11.0    |         |          |             |
| RF2-10N        |                                   | 10.5mm                      | 14      | 31      | 13.9    |         |          |             |
| RF2-12N        |                                   | 13.0mm                      | 19.2    | 36.5    | 16.5    |         |          |             |
| RF3.5-4N       |                                   | 4.3mm                       | 8.0     | 24.5    | 7.7     |         |          | 黑<br>Black  |
| RFS3.5-5N      |                                   | 5.3mm                       | 8.0     | 24.5    | 7.7     |         |          |             |
| RFL3.5-5N      | 14-12                             | 5.3mm                       | 12.0    | 27.9    | 7.7     | 13.5    | 6.4      |             |
| RF3.5-6N       | 2.5-4                             | 6.5mm                       | 12.0    | 27.9    | 7.7     |         |          |             |
| RF3.5-8N       | 37A                               | 8.4mm                       | 15.0    | 32.0    | 13.5    |         |          |             |
| RF3.5-10N      | 500PCS                            | 10.5mm                      | 15.0    | 32.0    | 13.5    |         |          |             |
| RF5.5-3.5N     |                                   | 3.7mm                       | 7.2     | 21.4    | 5.9     |         |          | 黄<br>yellow |
| RFS5.5-4N      |                                   | 4.3mm                       | 7.2     | 21.4    | 5.9     |         |          |             |
| RFL5.5-4N      | 12-10                             | 4.3mm                       | 9.5     | 26.5    | 8.3     |         |          |             |
| RF5.5-5N       |                                   | 5.3mm                       | 9.5     | 26.5    | 8.3     |         |          |             |
| RF5.5-6N       | 4-6                               | 6.5mm                       | 12.0    | 31      | 13.0    | 13.5    | 6.4      |             |
| RF5.5-8N       | 48A                               | 8.4mm                       | 15.0    | 33.7    | 13.7    |         |          |             |
| RF5.5-10N      | 500PCS                            | 10.5mm                      | 15.0    | 33.7    | 13.7    |         |          |             |
| RF5.5-12N      |                                   | 13.0mm                      | 19.2    | 38.1    | 16.0    |         |          |             |
| RF8-3N         | 8                                 | 3.7mm                       | 10.0    | 30.0    | -       |         |          | 红<br>Red    |
| RF8-4N         | 6-10                              | 4.3mm                       | 10.0    | 30.0    | -       |         |          |             |
| RF8-5N         |                                   | 5.3mm                       | 10.0    | 30.0    | -       |         |          |             |
| RF8-6N         | 62A                               | 6.4mm                       | 11.0    | 31.5    | -       | 17.5    | 6.4      |             |
| RF8-8N         | 100PCS                            | 8.4mm                       | 14.0    | 36.0    | -       |         |          |             |
| RF8-10N        |                                   | 10.5mm                      | 18.0    | 39.5    | -       |         |          |             |
| RF8-12N        |                                   | 12.5mm                      | 18.0    | 39.5    | -       |         |          |             |